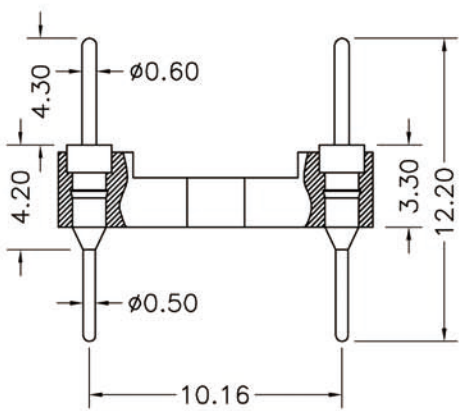


Technical Data
 Material:
 Pin(outer sleeve):Brass,machined CuZn38Pb2
 Plating(outer sleeve):
 Tin Plated:2μm/80μm"NI, 5μm/200μ"Sn
 Gold Plated:2μm"/80μm"Ni, 0.8μ" gold
 Insuiator:PPS UL94V-0

Electrical:
 Current rating:3Amps/contact max.
 Contact resistance:≤4mΩ/contact
 Insuiation resistance:≥1000MΩ at V=100V
 Dleictric Withstanding Voltage:1000V AV Min
 Operaling voitage:60VAC/DC

Mechanical:
 Operaling temperature:-40° C to+105° C
 Soldering temperature:+255° C



Serial number	No. of Positions	PART NO	A	B
12	20	STOD4-I120XX1220A	25.4	22.86
13	22	STOD4-I122XX1220A	27.94	25.4
14	24	STOD4-I124XX1220A	30.48	27.94
15	28	STOD4-I128XX1220A	35.56	33.02
16	32	STOD4-I132XX1220A	40.64	38.1

TOLERANCE:
X. ±XXX
.X ±0.20
.XX ±0.10
ANG.



上海狮拓电子科技有限公司

產品名稱:
 產品料號:

THIRD ANGLE PROJECTION

簽名 _____
 日期 _____
 審核 _____
 日期 _____

客戶確認

承認 _____ 日期 _____
 駁回 _____ 日期 _____